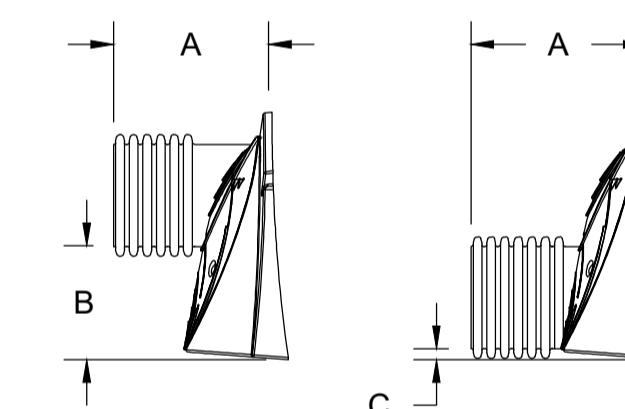


NOMINAL CHAMBER SPECIFICATIONS

SIZE (W X H X INSTALLED LENGTH)	51.0" X 30.0" X 85.4" (1295 mm X 762 mm X 2169 mm)
CHAMBER STORAGE	45.9 CUBIC FEET (1.30 m ³)
MINIMUM INSTALLED STORAGE*	74.9 CUBIC FEET (2.12 m ³)
WEIGHT	75.0 lbs. (33.6 kg)

*ASSUMES 6" (152 mm) STONE ABOVE, BELOW, AND BETWEEN CHAMBERS

PRE-FAB STUB AT BOTTOM OF END CAP WITH FLAMP END WITH "BR"
 PRE-FAB STUBS AT BOTTOM OF END CAP FOR PART NUMBERS ENDING WITH "B"
 PRE-FAB STUBS AT TOP OF END CAP FOR PART NUMBERS ENDING WITH "T"
 PRE-CORED END CAPS END WITH "PC"



PART #	STUB	A	B	C
SC740EPE06T / SC740EPE06TPC			18.5" (470 mm)	---
SC740EPE06B / SC740EPE06BPC	6" (150 mm)	10.9" (277 mm)	---	0.5" (13 mm)
SC740EPE08T / SC740EPE08TPC			16.5" (419 mm)	---
SC740EPE08B / SC740EPE08BPC	8" (200 mm)	12.2" (310 mm)	---	0.6" (15 mm)
SC740EPE10T / SC740EPE10TPC			14.5" (368 mm)	---
SC740EPE10B / SC740EPE10BPC	10" (250 mm)	13.4" (340 mm)	---	0.7" (18 mm)
SC740EPE12T / SC740EPE12TPC			12.5" (318 mm)	---
SC740EPE12B / SC740EPE12BPC	12" (300 mm)	14.7" (373 mm)	---	1.2" (30 mm)
SC740EPE15T / SC740EPE15TPC			9.0" (229 mm)	---
SC740EPE15B / SC740EPE15BPC	15" (375 mm)	18.4" (467 mm)	---	1.3" (33 mm)
SC740EPE18T / SC740EPE18TPC			5.0" (127 mm)	---
SC740EPE18B / SC740EPE18BPC	18" (450 mm)	19.7" (500 mm)	---	1.6" (41 mm)
SC740EPE24B*	24" (600 mm)	18.5" (470 mm)	---	0.1" (3 mm)
SC740EPE24BR*	24" (600 mm)	18.5" (470 mm)	---	0.1" (3 mm)

* FOR THE SC740EPE24B/SC740EPE24BR THE 24" (600 mm) STUB LIES BELOW THE BOTTOM OF THE END CAP APPROXIMATELY 1.75" (44 mm). BACKFILL MATERIAL SHOULD BE REMOVED FROM BELOW THE N-12 STUB SO THAT THE FITTING SITS LEVEL.

NOTE: ALL DIMENSIONS ARE NOMINAL

PLANNING DRAWING.
 NOT FOR CONSTRUCTION.
 ALL LEVELS GIVEN ARE
 RELATIVE TO ORDNANCE DATUM.
 THIS DRAWING HAS BEEN ISSUED FOR INFORMATION
 PURPOSES ONLY AND MUST NOT BE USED
 FOR CONSTRUCTION UNDER ANY CIRCUMSTANCES

- NOTES**
- For setting out refer to Architect's drawings.
 - This drawing to be read in conjunction with all other Architectural and Engineering drawings and all other relevant drawings and Specifications.
 - DO NOT SCALE THIS DRAWING. Use figured dimensions only.
 - No part of this document may be reproduced or transmitted in any form or stored in any retrieval system of any nature without the written permission as copyright holder except as agreed for use on the project for which the document was originally issued.
 - Ordnance Survey Ireland Licence Number EN 0074022

Rev. No	Date	REVISION NOTE	Dim. By	Chkd. By
P1	25.02.2022	CSI NUMBER UPDATED	IK	FDB
P2	28.02.2022	ISSUED FOR PLANNING	IK	FDB

Architect	Reddy Architecture + Urbanism
Project	Sommerville Dundrum
Title	Proposed Attenuation Tank Details Sheet 6 of 6
Dwg. No.	E037-CSC-ZZ-XX-DR-C-0025
Date	Dec '21
Dim. by	IK
Chkd. by	FDB
Aprvd. by	NB
Scale	AS SHOWN @ A1
Revision	P2

CS Consulting Group
 DUBLIN | LONDON | LIMERICK

Head Office
 19-22 Dame Street, Dublin 2.
 T: +353 (0)1 5480863
 e: info@csconsulting.ie
 w: www.csconsulting.ie

Quality Environment I.S. EN ISO 9001:2008
 Energy I.S. EN ISO 14001:2004
 Health & Safety OHSAS 18001:2007