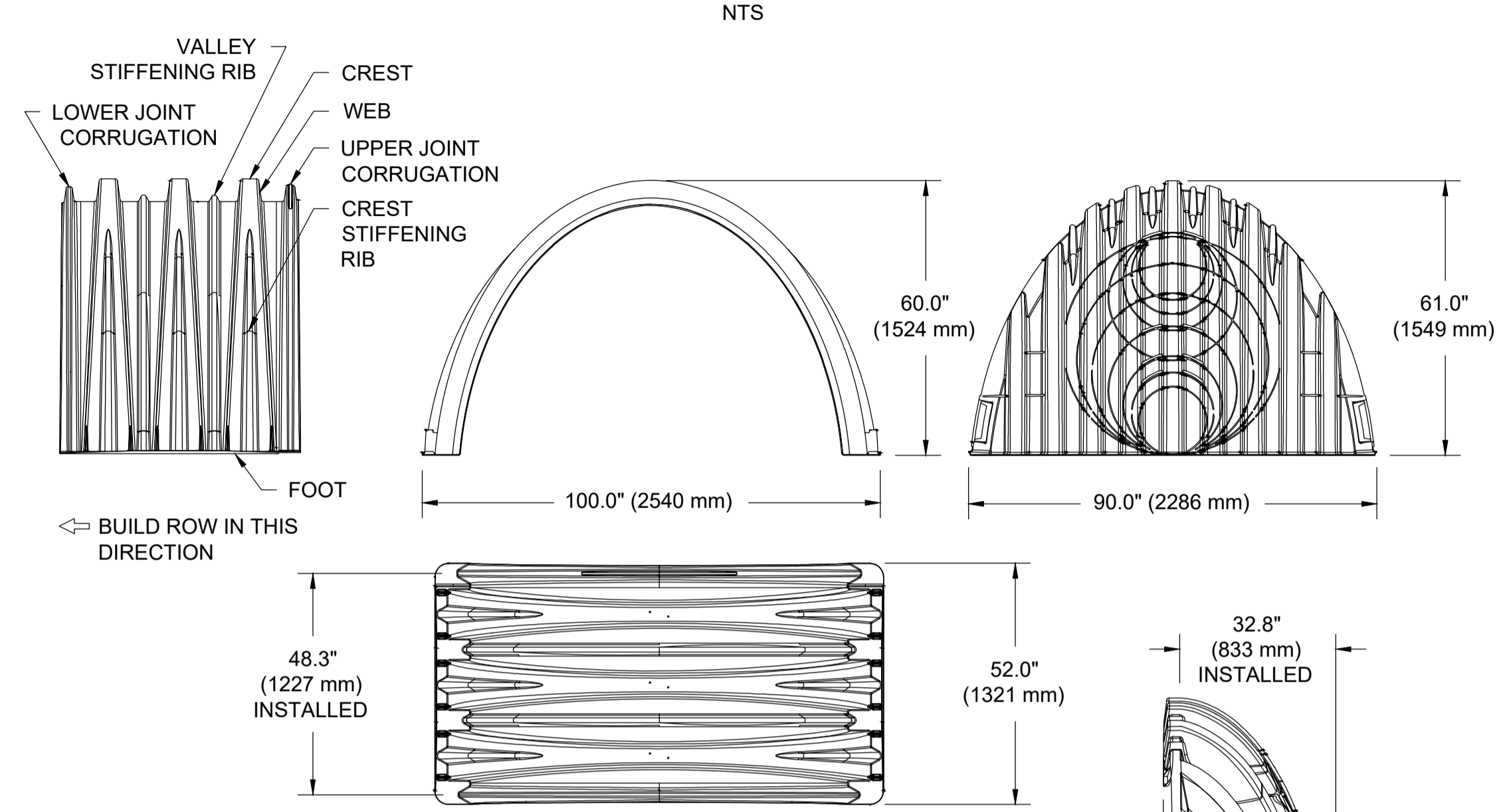


MC-4500 TECHNICAL SPECIFICATION



NOMINAL CHAMBER SPECIFICATIONS

| | |
|---------------------------------|--|
| SIZE (W X H X INSTALLED LENGTH) | 100.0" X 60.0" X 48.3" (2540 mm X 1524 mm X 1227 mm) |
| CHAMBER STORAGE | 106.5 CUBIC FEET (3.01 m ³) |
| MINIMUM INSTALLED STORAGE* | 162.6 CUBIC FEET (4.60 m ³) |
| WEIGHT (NOMINAL) | 125.0 lbs. (56.7 kg) |

NOMINAL END CAP SPECIFICATIONS

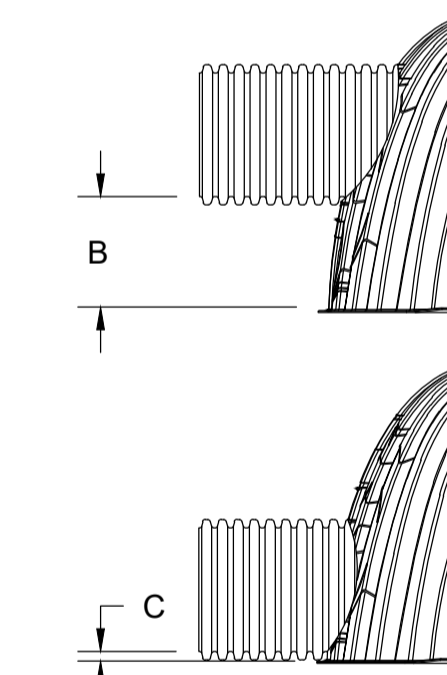
| | |
|---------------------------------|--|
| SIZE (W X H X INSTALLED LENGTH) | 90.0" X 61.0" X 32.8" (2286 mm X 1549 mm X 833 mm) |
| END CAP STORAGE | 39.5 CUBIC FEET (1.12 m ³) |
| MINIMUM INSTALLED STORAGE* | 115.3 CUBIC FEET (3.26 m ³) |
| WEIGHT (NOMINAL) | 90 lbs. (40.8 kg) |

*ASSUMES 12" (305 mm) STONE ABOVE, 9" (229 mm) STONE FOUNDATION AND BETWEEN CHAMBERS, 12" (305 mm) STONE PERIMETER IN FRONT OF END CAPS AND 40% STONE POROSITY.

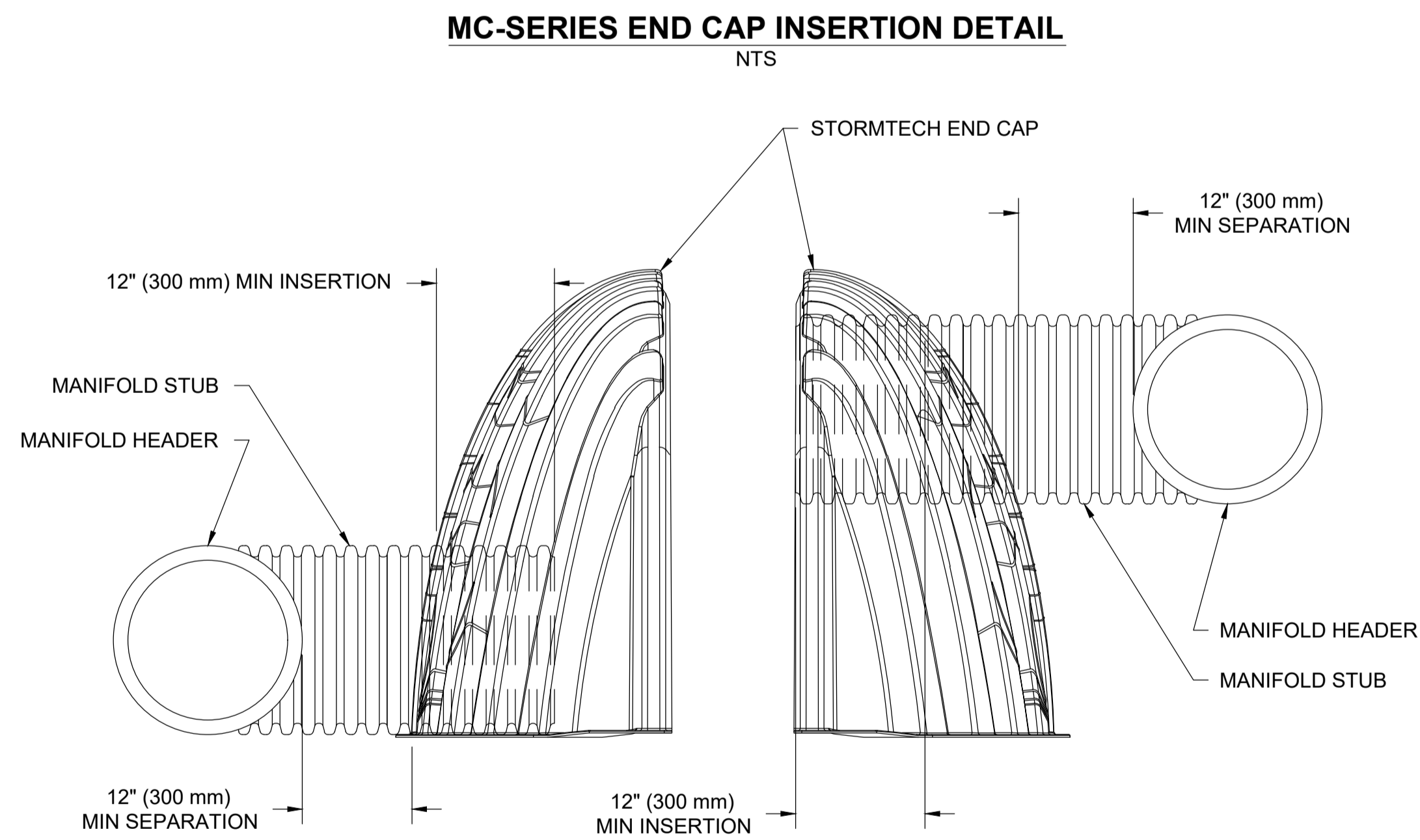
PARTIAL CUT HOLES AT BOTTOM OF END CAP FOR PART NUMBERS ENDING WITH "B"
PARTIAL CUT HOLES AT TOP OF END CAP FOR PART NUMBERS ENDING WITH "T"
END CAPS WITH A PREFABRICATED WELDED STUB END WITH "W"

| PART # | STUB | B | C |
|----------------|---------------|------------------|---------------|
| MC4500IEPP06T | | 42.54" (1081 mm) | --- |
| MC4500IEPP06B | 6" (150 mm) | --- | 0.86" (22 mm) |
| MC4500IEPP08T | | 40.50" (1029 mm) | --- |
| MC4500IEPP08B | 8" (200 mm) | --- | 1.01" (26 mm) |
| MC4500IEPP10T | | 38.37" (975 mm) | --- |
| MC4500IEPP10B | 10" (250 mm) | --- | 1.33" (34 mm) |
| MC4500IEPP12T | | 35.69" (907 mm) | --- |
| MC4500IEPP12B | 12" (300 mm) | --- | 1.55" (39 mm) |
| MC4500IEPP15T | | 32.72" (831 mm) | --- |
| MC4500IEPP15B | 15" (375 mm) | --- | 1.70" (43 mm) |
| MC4500IEPP18T | | 29.36" (746 mm) | --- |
| MC4500IEPP18TW | | --- | --- |
| MC4500IEPP18B | 18" (450 mm) | --- | 1.97" (50 mm) |
| MC4500IEPP18BW | | --- | --- |
| MC4500IEPP24T | | 23.05" (585 mm) | --- |
| MC4500IEPP24TW | | --- | --- |
| MC4500IEPP24B | 24" (600 mm) | --- | 2.26" (57 mm) |
| MC4500IEPP24BW | | --- | --- |
| MC4500IEPP30BW | 30" (750 mm) | --- | 2.95" (75 mm) |
| MC4500IEPP36BW | 36" (900 mm) | --- | 3.25" (83 mm) |
| MC4500IEPP42BW | 42" (1050 mm) | --- | 3.55" (90 mm) |

NOTE: ALL DIMENSIONS ARE NOMINAL



CUSTOM PARTIAL CUT INVERTS ARE AVAILABLE UPON REQUEST.
INVENTORIED MANIFOLDS INCLUDE 12-24" (300-600 mm) SIZE ON SIZE AND 15-48" (375-1200 mm) ECCENTRIC MANIFOLDS. CUSTOM INVERT LOCATIONS ON THE MC-4500 END CAP CUT IN THE FIELD ARE NOT RECOMMENDED FOR PIPE SIZES GREATER THAN 10" (250 mm). THE INVERT LOCATION IN COLUMN 'B' ARE THE HIGHEST POSSIBLE FOR THE PIPE SIZE.



NOTE: MANIFOLD STUB MUST BE LAID HORIZONTAL FOR A PROPER FIT IN END CAP OPENING.

PLANNING DRAWING.
NOT FOR CONSTRUCTION.
ALL LEVELS GIVEN ARE
RELATIVE TO ORDNANCE DATUM.
THIS DRAWING HAS BEEN ISSUED FOR INFORMATION
PURPOSES ONLY AND MUST NOT BE USED
FOR CONSTRUCTION UNDER ANY CIRCUMSTANCES

NOTES

- For setting out refer to Architect's drawings.
- This drawing to be read in conjunction with all other Architectural and Engineering drawings and all other relevant drawings and Specifications.
- DO NOT SCALE THIS DRAWING. Use figured dimensions only.
- No part of this document may be reproduced or transmitted in any form or stored in any retrieval system of any nature without the written permission as copyright holder except as agreed for use on the project for which the document was originally issued.
- Ordnance Survey Ireland Licence Number EN 0074022

| Rev. No. | Date | REVISION NOTE | Dim. By | Chkd. By |
|----------|------------|---------------------|---------|----------|
| P1 | 25.02.2022 | CSI NUMBER UPDATED | IK | FDB |
| P2 | 28.02.2022 | ISSUED FOR PLANNING | IK | FDB |

| | |
|-----------|---|
| Architect | Reddy Architecture + Urbanism |
| Project | Sommerville Dundrum |
| Title | Proposed Attenuation Tank Details Sheet 5 of 6 |
| Dwg. No. | E037-CSC-ZZ-XX-DR-C-0024 |
| Date | Dec '21 |
| Dim by | IK |
| Chkd by | FDB |
| Aprvd by | NB |
| Scale | AS SHOWN @ A1 |
| Revision | P2 |

CS Consulting Group
DUBLIN | LONDON | LIMERICK

Head Office
19-22 Dame Street, Dublin 2.
T: +353 (0)1 5480863
e: info@csconsulting.ie
w: www.csconsulting.ie

Quality Environment I.S. EN ISO 9001:2008
NSAI Energy I.S. EN ISO 14001:2004
Certified Health & Safety OHSAS 18001:2007